



2020+ Ford Police Interceptor Utility On-Dash Tablet Mount

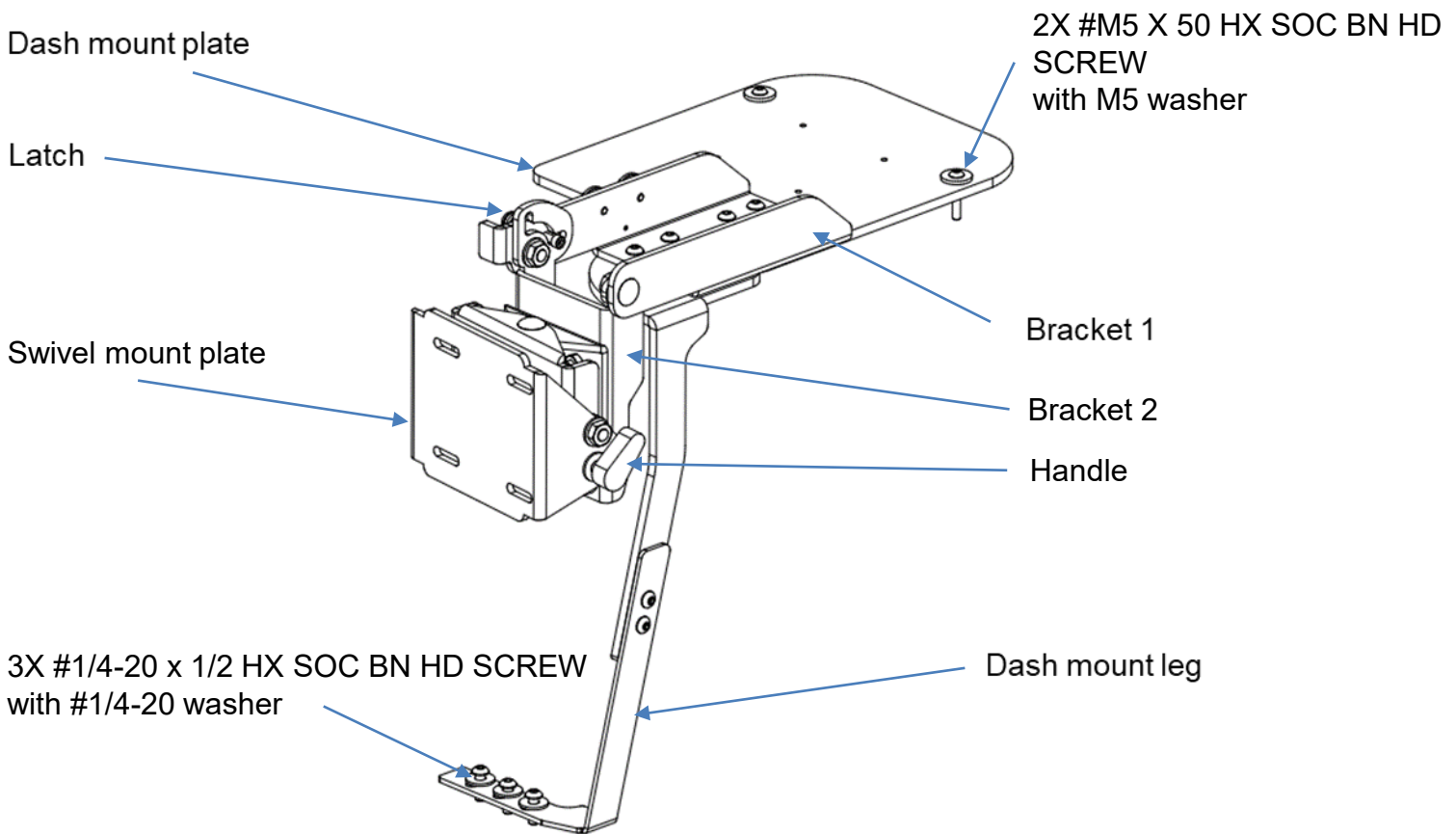
User Guide

Description	Part Number
2020+ Ford Police Interceptor Utility On Dash Tablet Mount	AS5.E700.001

www.precisionmounts.com

call us at 1-888-869-7652 | info@precisionmounts.com

DESCRIPTION OF PARTS



- Dash mount plate: This plate attaches to vehicle dash, with hardware as shown.
- Latch: Pulling this will help to raise and lower the tablet, to access the vehicle dash controls.
- Bracket 1: Attached to the dash mount plate, supports to hold the bracket 2.
- Bracket 2: Holds the swivel assembly, which directly attaches to the tablet dock mounting plate.
- Dash mount leg: Attached to dash mount plate at one end and other end stands on 2020+ Ford Police Interceptor Utility Console (PMT / Gamber-Johnson) through hardware as shown in picture.
- Handle: Can be used for adjusting / to tilt the screen as desired by the user.
- Swivel mount plate: To mount the tablet dock.

INSTALLATION INSTRUCTIONS

AS5.E700.001

2020+ FORD POLICE INTERCEPTOR UTILITY ON DASH TABLET MOUNT WITH FLIP UP FEATURE

This mount is designed to attach to PMT or GAMBER-JOHNSON 2020+ Ford Police Interceptor Utility Console.

All other consoles will require minor changes.

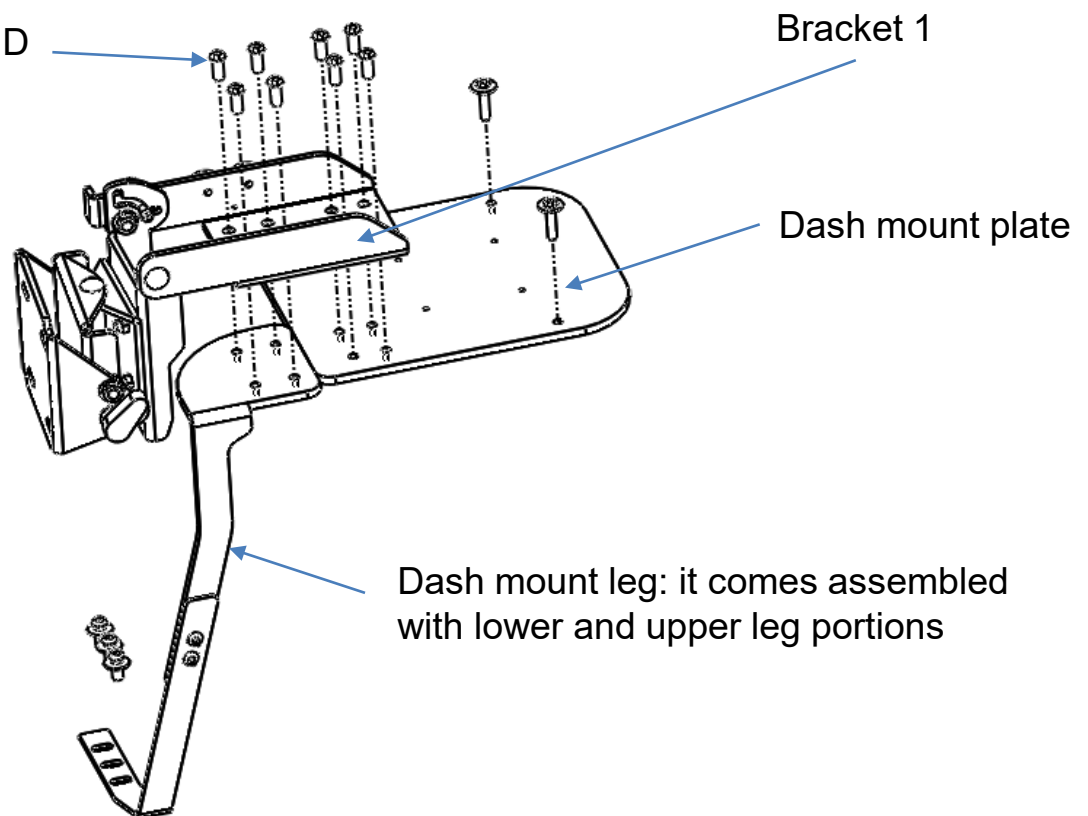
Tools required:

- Socket set suitable for M5, #1/4-20 and #5/16 heads
- M5 socket head allen key
- Zip tie cutter

Step 1: Assemble the dash mount leg and dash mount plate to bracket 1 as shown in picture below with hardware supplied which comes as 3 piece in shipment.

8X #5/16-18x 1/2"

HEX SOC BN BHD



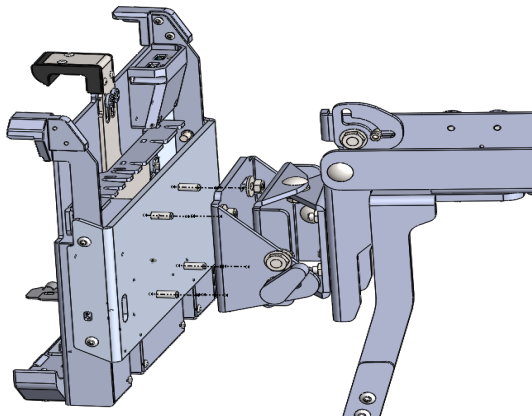
Step 2: Remove the OEM screws from the dash, using M5 socket wrench, save the screws for future use.



Step 3: Place the dash mount unit on the vehicle dash, align the holes of dash mount plate with OEM holes and fix the plate using the hardware 2X #M5X50 HX SOC BN HD and M5 washers.



Step 4: Install the tablet dock, using the hardware that comes with tablet dock, to the swivel mount plate of tablet mount, as shown in picture. Use #1/4-20 wrench –with related socket set.



Step 5: Pull the latch shown below to be able to turn the tablet dock up / parallel to dash, this will help the driver / passenger to be able to use all the vehicle dash controls.



Step 6: As shown in picture, once the tablet dock is lifted and positioned parallel to dash, there will be enough room to access the vehicle dash controls

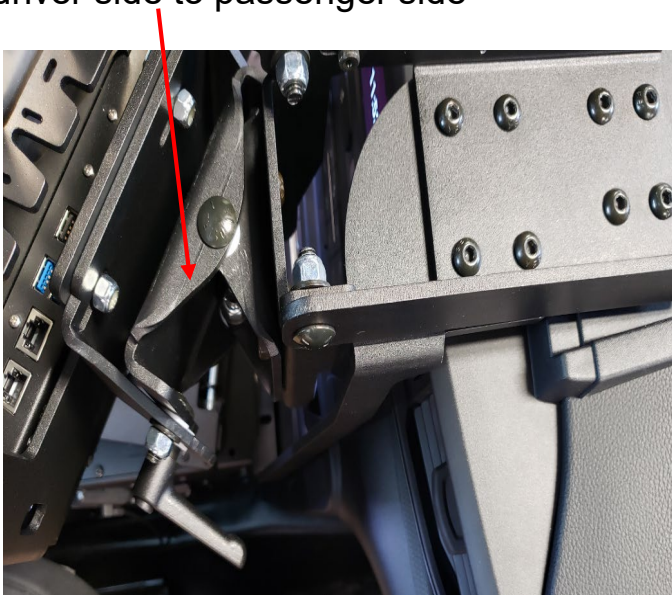


Step 7: Pull the latch again to position the tablet dock parallel to vehicle dash screen.

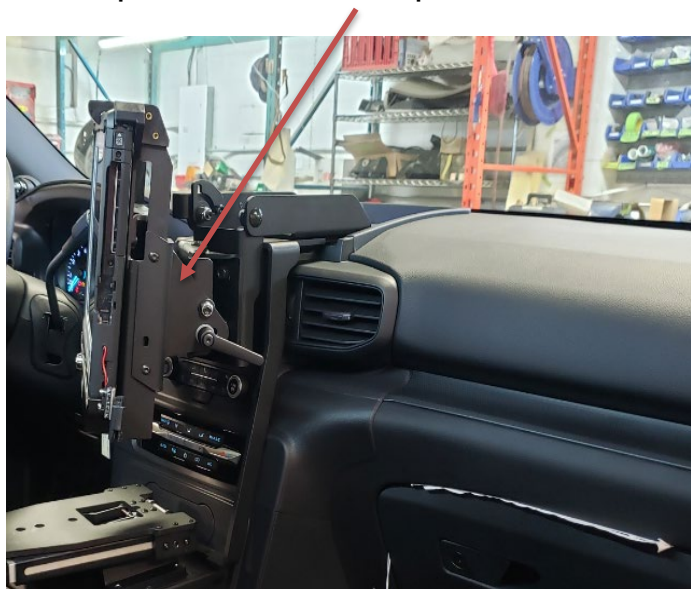
Note: Always prefer to keep the tablet dock in the position shown below, its not recommended to keep tablet dock as in step 6 while the vehicle is moving.



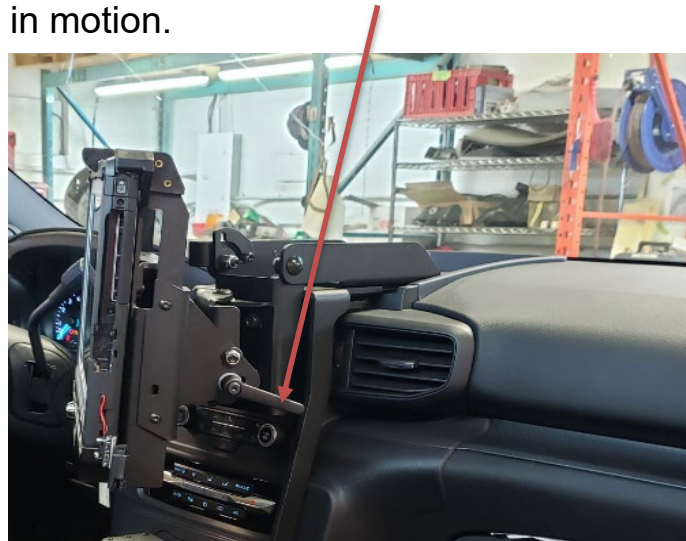
Step 8: The swivel plate shown in picture below will enable the tablet dock to be turned from driver side to passenger side



Step 9: The swivel plate shown in picture below will enable the tablet dock to be tilted up and down as required to the user.



Step 10: Ensure to always use the handle to keep the tablet dock to fix in a position tight / firm, which should help in reducing the wiggle while the vehicle is in motion.



Step 11: Attach the dash mount leg on top of console top plate, using 3X #1/4-20 1/2" HX SOC BN HD SCREWS and #1/4-20 washers as shown in picture below.

